



Steuben Rural Electric Cooperative, Inc.

Member-Owned Distributed Generation Interconnection Information Packet

Member-Owned Distributed Generation

Application Procedures

(For single-phase attachment of inverter/converter based parallel Distributed Generation (≤ 15 kW))

The application will be used by SREC to determine the required equipment configuration for the interface to SREC's electric distribution system. The member must complete the entire application.

The following are general guidelines to be followed by the applicant and SREC for the interconnection of distributed generation not exceeding 15 kW of capacity with the SREC electrical distribution system.

1. The applicant reviews the application requirements, including Information Requirements, the Application Form, the Sample Installation diagram, and the SREC Interconnection Agreement for Distributed Generation.
2. The applicant completes the Application Form and returns it and related informational requirements to SREC along with a signed copy of the Information Request and the **\$375.00 application fee** (check payments should be made out to "SREC").
3. SREC reviews the Application Form and, if deemed necessary by SREC conducts a field visit to evaluate the site-specific conditions. The application fee covers the cost of this initial field visit, if necessary.
4. SREC provides the applicant with a written estimate for the cost of interconnection.
5. Applicant signs an Interconnection Agreement for Distributed Generation Not to Exceed 15 kW.
6. Applicant provides SREC proof of required insurance.
7. Contractor performs the installation work according to the approved drawings and data sheets but does not electrically connect the distributed generation equipment to the existing electrical system until SREC provides written permission.
8. Applicant acquires inspection certificate from an approved electrical inspector.
9. Applicant provides proof of inspection to SREC.
10. SREC installs the bi-directional metering equipment.
11. SREC performs on-site verification of the installed equipment and performs a functional test of the members distributed generation to confirm anti-islanding operation.
12. Applicant connects the distributed generation system to SREC's electrical system.

Member-Owned Distributed Generation

Information Requirements

(For single-phase attachment of inverter/converter based parallel Distributed Generation (</=15kW))

The Member shall furnish **ALL** of the following information to complete SREC's Engineering Review Process:

1. Application Form
2. Project Schedule
3. Site Plan
4. Description of Operation
5. One-Line Electrical Diagram of Complete Facility
6. Equipment Nameplate Data and Electrical Ratings for:
 - a. Interrupting Devices (main breaker, distributed generator feeder breaker)¹
 - b. Line Disconnect Switch²
 - c. Inverter equipment (including firmware as applicable)³
 - d. Solar or WTG Meter

¹ Manufacturer, Type, Ampere Rating, Interrupting Ampere Rating

² Manufacturers, Type, Ampere Rating. Generating equipment shall be capable of being isolated from the utility system by means of an external, manual, visible, gang-operated, load break disconnecting switch. The disconnect switch shall be installed, owned, and maintained by the Member. It shall be located in the ac system between the power-producing equipment and its interconnection point with the SREC system. The disconnect switch must be rated for the voltage and current requirements of the installation. Disconnect devices shall meet applicable UL, ANSI, and IEEE standards, and shall be installed to meet all applicable local, state, and federal codes. The disconnect switch shall be clearly marked, "Generator Disconnect Switch," with permanent three-eighths-inch letters or larger. The disconnect switch shall be located within ten feet of SREC's external electric service meter. If such location is not possible, the Member will propose, subject to SREC approval, an alternate location. The disconnect switch shall be readily accessible for operation and locking by SREC personnel in the open position with a standard SREC, three-eighths-inch shank padlock.

³ Direct current generation can only be installed in parallel with the utility's system using a synchronous inverter. Only inverters designed to operate in parallel with the utility system shall be utilized for this purpose. The design shall be such as to disconnect this synchronous inverter upon a utility system interruption. Equipment must be selected from the "Certified Equipment" list maintained by the New York State PSC. Such equipment has dynamic anti-islanding protection as defined by IEEE 1547/UL 1741 and conforms to the maximum harmonic limits delineated in IEEE 519. Synchronization or re-synchronization of an inverter to the utility system shall not result in a voltage deviation that exceeds the requirements contained in Section II.E, Power Quality, of IEEE 519.

Member-Owned Distributed Generation

Application Form

(For single-phase attachment of inverter/converter based parallel
Distributed Generation equipment 15 kW or smaller)

Member Information:

Name: _____ Phone: (____) _____

Address: _____ Town: _____

Consulting Engineer or Contractor:

Name: _____ Phone: (____) _____

Address: _____

Estimated In-Service Date: _____

Existing Electric Service:

Capacity: _____ Amperes Voltage: _____ Volts: _____

Location of Protective Interface Equipment on Property:

(Include address if different from member address)

Energy Producing Equipment/Inverter Information:

Manufacturer: _____

Model No. _____ Version No. _____

() Synchronous () Induction () Inverter () Other _____

Rating: _____ kW rating: _____ kVA

Interconnection Voltage: _____ Volts

System Type Tested (Total System): () Yes () No; attach product literature

Equipment Type Tested (i.e., Inverter, Protection System):

() Yes () No; attach product literature

One Line Diagram Attached: () Yes

Installation Test Plan Attached: () Yes

Signature:

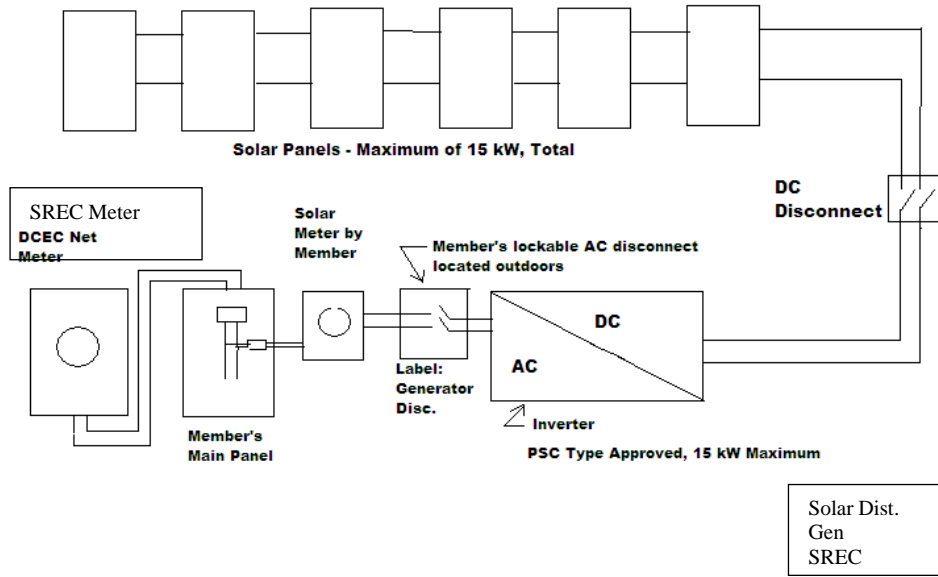
MEMBER SIGNATURE

DATE

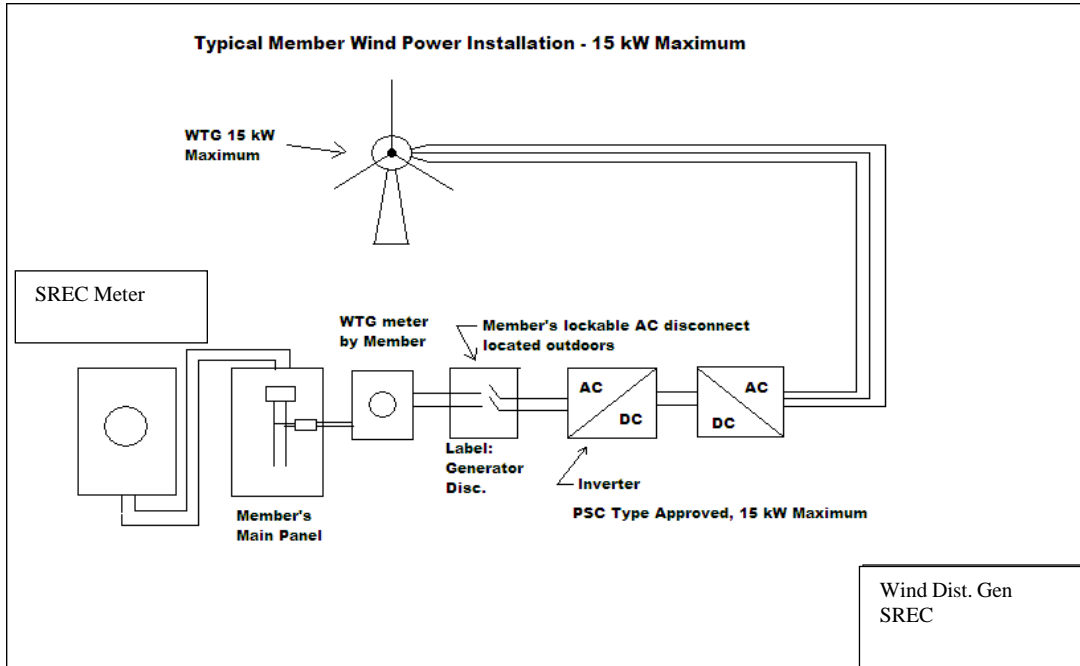
Member-Owned Distributed Generation

Sample Installation Schematics

Typical Member Solar Installation - 15 kW Maximum



Typical Member Wind Power Installation - 15 kW Maximum



AGREEMENT
FOR
INTERCONNECTION OF MEMBER-OWNED DISTRIBUTED GENERATION

**(For single-phase attachment of inverter/converter based parallel
Distributed Generation equipment 15 kW or smaller)**

This Interconnection Agreement (“Agreement”) is made and entered into this ____ day of _____, 20__, by the Steuben Rural Electric Cooperative, Inc., (“SREC”), a corporation organized under the laws of the State of New York, and _____, (“DG Owner/Operator”), each hereinafter sometimes referred to individually as “Party” or both referred to collectively as the “Parties”. In consideration of the mutual covenants set forth herein, the Parties agree as follows:

This Agreement provides for the safe and orderly operation of the electrical facilities interconnecting the DG Owner/Operator’s electric power generator at _____ (Project location or address) (“the Facilities”) and the electrical distribution system owned by SREC (“the System”). The point of interconnection between the Facilities and the System shall be defined as the weather head for overhead service entrances or the meter pan for underground service entrances.

This Agreement is subject to the by-laws, applicable tariffs, rates, policies, rules, and regulations in place between the DG Owner/Operator and SREC.

1. **Intent of Parties:** It is the intent of the DG Owner/Operator to interconnect an electric power generator to SREC’s electrical distribution system (“the interconnection”).

It is the intent of SREC to operate the distribution system to maintain a high level of service to their members and to maintain a high level of power quality.

It is the intent of both parties to operate their respective facilities in a way that ensures the safe and reliable provision of electric service.

2. **Operating Authority:** The DG Owner/Operator is responsible for establishing operating procedures and standards within their organization. The operating authority for the DG Owner/Operator shall ensure that the Operator in Charge of the generator is competent in the operation of the Facilities and is aware of the provisions of any operating agreements and regulations relating to safe operation of electrical power systems.

The operating authority for the DG Owner/Operator is _____
(name or title of operating authority, along with address and telephone number).

3. **Operator in Charge:** The operator in charge is the person identified by name or job title responsible for the real time operation of all electrical facilities related to the interconnection and owned by their organization. The operator in charge for the DG Owner/Operator is _____
(Name or title of operator in charge, along with address and telephone number).

4. **Suspension of Interconnection:** The interconnection shall not compromise SREC's System protection or System operation. The operation of the DG Owner/Operator's Facilities and the quality of electrical energy supplied by the DG Owner/Operator shall meet the standards as specified by SREC. If the operation of the DG Owner/Operator's Facilities does not meet the standards as specified, then SREC will notify the DG Owner/Operator to take reasonable and expedient corrective action. SREC shall have the right to disconnect the DG Owner/Operator's Facilities until compliance is reasonably demonstrated. Notwithstanding, SREC may in its sole discretion disconnect the Owner/Operator's Facilities from SREC's System without notice if the operation of the Facilities imposes a threat, in SREC's sole judgment, to life, property or the System.
5. **Maintenance Outages:** Maintenance outages will occasionally be required on SREC's System and SREC will provide as much notice and planning as practicable to minimize such outages. It is noted that in some emergency cases such notice may not be practical. Compensation will not be made for the unavailability of SREC's System due to outages.
6. **Access:** Access is required at all times by SREC to the DG Owner/Operator's Facilities for maintenance, operating and meter reading. SREC reserves the right, but not the obligation, to inspect the DG Owner/Operator's Facilities.
7. **Costs of Interconnection to be Borne by DG Owner/Operator:** SREC shall record the costs of equipment purchases, labor, applicable overheads, and all other appropriate and assignable costs incurred by SREC in connection with designing, field engineering, staking, installing, and documenting the interconnection ("Interconnection Costs"). Such costs may also be associated with the installation or modification of any metering equipment, protection devices or switches and any power quality devices or equipment. The DG Owner/Operator may request from SREC and will receive a non-binding written estimate of the interconnection costs. The DG Owner/Operator shall reimburse SREC for all Interconnection Costs within 30 days of receiving an invoice from SREC. Any upgrades to the System required to accommodate the interconnection will be owned and operated by SREC.
8. **Payment by DG Owner/Operator to SREC:** It is understood that the DG Owner/Operator shall maintain active membership status in good standing while the Facilities are in operation and, as a result, will continue to receive electrical service pursuant to the bylaws of SREC. This agreement shall terminate upon a change in membership status by the DG Owner/Operator.
9. **Payment for Energy by SREC to DG Owner/Operator:** SREC shall credit the DG Owner/Operator for any energy that is injected into the SREC's electrical facilities during those times when generation from the Facilities exceeds the DG Owner/Operator's load. The price paid by SREC to the DG Owner/Operator for such energy shall be SREC's avoided cost of wholesale energy calculated monthly (monthly energy supply charge). SREC will credit the DG Owner/Operator for such energy on a monthly basis on the members billing statement. Wholesale energy costs include amounts paid to the New York Power Authority, amounts paid to the New York Independent System Operator (either directly or through an intermediary), and amounts paid to New York State Electric and Gas.
12. **Tax Status:** SREC is a cooperative, non-profit, membership corporation pursuant to the New York Rural Electric Cooperative Law. Nothing in this Agreement is intended to adversely affect SREC's tax status.

13. **Liability and Indemnification:** The DG Owner/Operator shall assume all liability for and shall indemnify SREC from and against any claims, losses, costs and expenses of any kind or character to the extent that they result from DG Owner/Operator's negligence or other wrongful conduct in connection with the design, construction and/or operation of the DG Owner/Operator's facility. As a condition of connecting self-generation systems rated at 15 kW or less to the Cooperative's system, a member must provide the Cooperative with certificates of insurance evidencing that the member, its contractors, and subcontractors, has at least \$500,000 in liability insurance covering the system and any resultant property damage (including the Cooperative's system) or bodily injury. All certificates of insurance shall name the Cooperative as an additional insured. Each member shall be required to provide the Cooperative with evidence of continued liability insurance coverage on an annual basis through provision of a certificate of insurance.

14. **Term and Termination:** This Agreement is intended to be valid for a period of ten (10) years. It may be canceled by either party upon not less than 12 months written notice to the other party. This Agreement is subject to applicable federal, state, and local laws, rules, regulations and/or orders ("law"). If any provision of this Agreement is unenforceable under any applicable law or is held invalid, such holding shall not affect any other provision hereof, and this Agreement shall be construed as if such unenforceable or invalid provision had never been contained herein.

By signing below, I acknowledge I have read and understand the contents of this agreement. I agree SREC will bill the DG Owner/Operator for the full energy used during each billing period according to the Cooperative's applicable retail rate schedule. SREC shall credit the DG Owner/Operator any energy injected into SREC's electrical facilities monthly to the member's billing statement. The price paid by SREC to the DG Owner/Operator for such energy shall be SREC's avoided cost of wholesale energy calculated monthly (monthly energy supply charge). I understand there will be no banked usage.

AGREED TO BY:

MEMBER (D-G Owner/Operator):

SREC:

Print Name

Print Name

Signature

Signature

Date

Date